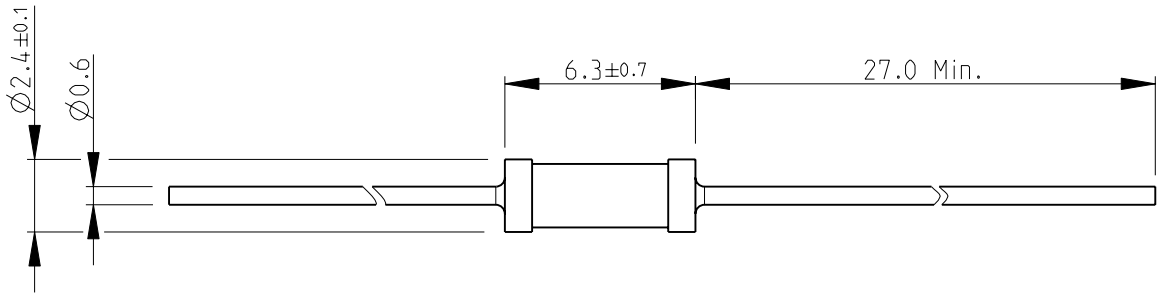
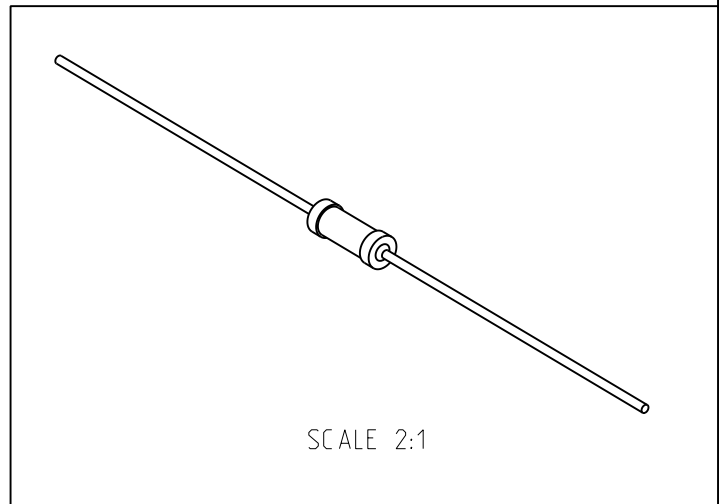


LOC	DIST	REVISIONS			
P	LTR	DESCRIPTION	DATE	DWN	APVD
E	B	A1	REVISED PER ECO-11-005150	28MAR2011	RK HMR

FOR FURTHER INFORMATION SEE DATA SHEET FOR  
CBT SERIES-CARBON COMPOSITION RESISTORS



RoHS Compliant



SCALE 2:1

2008

RELEASED FOR PUBLICATION


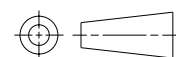
THIS DRAWING IS UNPUBLISHED.

ALL RIGHTS RESERVED.

BY -

© COPYRIGHT 2008



DIMENSIONS: mm	DWN SUBHASH.M	16-Sep-08	MATERIAL	-	FINISH	-	
	CHK PRAKASH.S	16-Sep-08	 TE Connectivity				
TOLERANCES UNLESS OTHERWISE SPECIFIED:	APVD STEPHEN.P	16-Sep-08					
	0 PLC $\pm 0.2$	PRODUCT SPEC	NAME CARBON COMPOSITION RESISTORS SERIES CBT25				
1 PLC $\pm 0.1$	-						
2 PLC $\pm$	APPLICATION SPEC	SIZE	CAGE CODE	DRAWING NO	RESTRICTED TO		
3 PLC $\pm$	-	A 4	00779	C-1625875	-		
4 PLC $\pm$	WEIGHT	CUSTOMER DRAWING				SCALE	4:1
ANGLES $\pm 5^\circ$	-					SHEET	1 OF 1
					REV	A1	